

# Column Guard



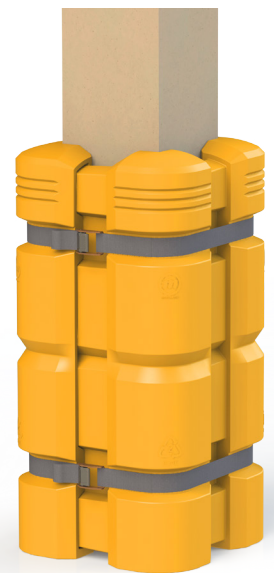
## Nothing slows down productivity like hitting a one-ton steel column.

The modular, shock-absorbing assembly installs securely and cushions columns, equipment and drivers from impacts. Protect the structural integrity of your facility and the financial integrity of your business.

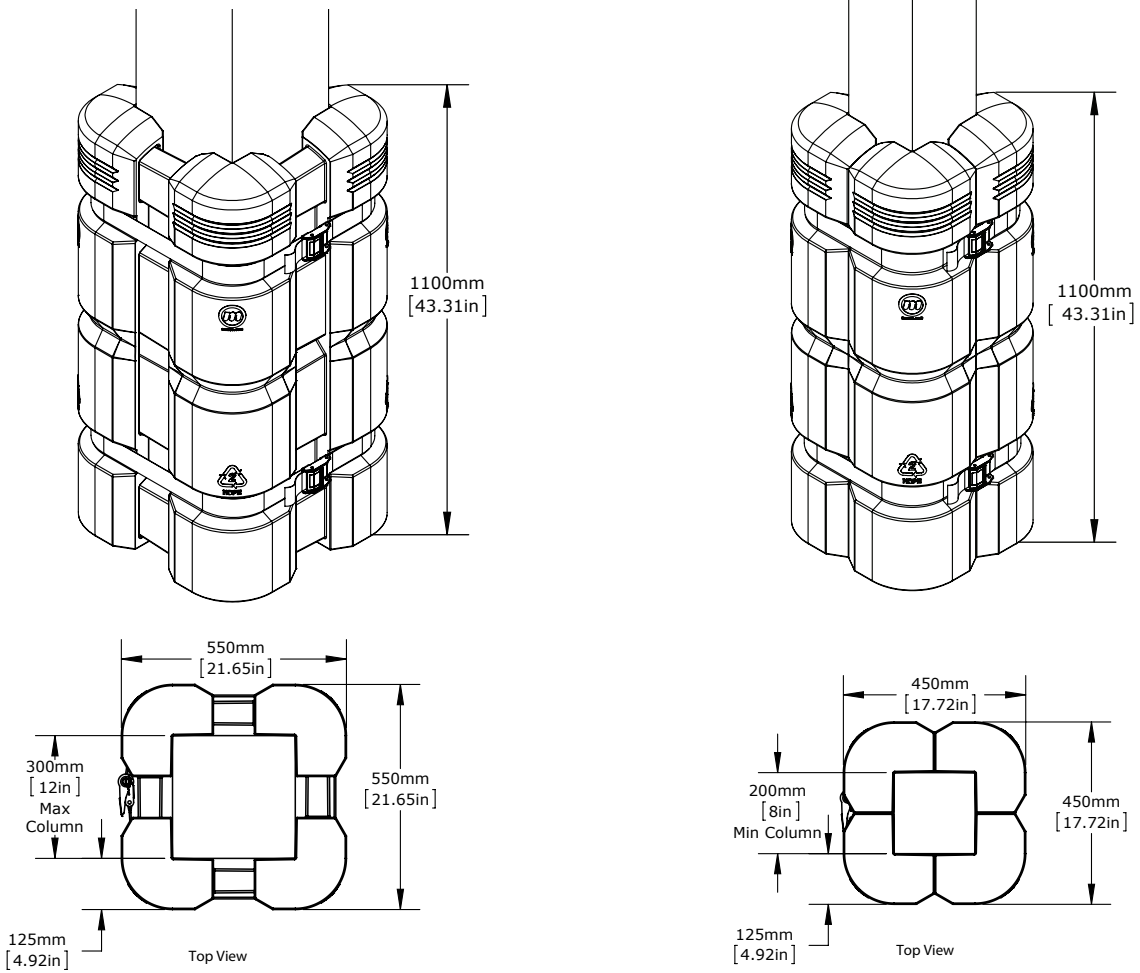
**Easy Installation** With 2 adjustable straps, no special skills or equipment required

**Adjustable Fit** Modular design fits a variety of column sizes

**Low Maintenance** Hi-visibility plastic requires no welding or painting



# Column Guard



**Column Guard Materials:** HDPE shell Column Guard, 25mm ratchet and strap system



**Shock-absorbing assembly installs securely, cushions columns, equipment & drivers during impacts.**

Column Guard was installed on a fabricated square vertical steel column and impacted with a 500-lb [227 kg] pendulum raised 1.8-ft [0.55 m] from the point of impact to provide an impact energy of 900 ft-lbs. [1222.5 Nm].



This is equivalent to a 9,000 lb [4082 kg] vehicle traveling at 1.7 mph [2.8 km/h].

Report #444504-10 | For more information go to [mccue.com](http://mccue.com)



**McCue Corporation**  
Peabody, MA 01960, USA  
+1 (800) 800 8503  
[customer@care@mccue.com](mailto:customer@care@mccue.com)

**McCue UK & Europe**  
Milton Keynes, United Kingdom  
+44 (0)1908 365 511  
[uksales@mccue.com](mailto:uksales@mccue.com)

**McCue Asia**  
迈客(厦门)有限公司  
Xiamen, Fujian, China  
+86-592-2200790

[mccue.com](http://mccue.com)

